



The perfect portable balance when cost matters and dependable results are a must!

The OHAUS CS Compact Scale is a lightweight, portable scale perfectly suited for use in laboratory, industrial, education and home use applications. Applications can include forensic testing, quality control, formulation, soil sampling, postal weighing and dietary needs.

Standard Features Include:

- **Superior RF Protection** – The CS is designed with superior RF protection to deliver accurate and stable results when used in production areas or near cell phones. Approvals for electrical and emissions include CE listed and FCC Class B Part 15 operation.
- **Large Stainless Steel Weighing Platform** – The CS is designed with a large weighing platform and can adequately handle large samples including oversized letters. In addition, the standard stainless steel platform is removable for easy cleaning.
- **Compact Design** – The CS has a low profile design and is truly portable when powered by three “AA” batteries (included). A standard AC adapter can also be used to power the CS, when used in a more permanent location.

CS Series Compact Scales

Specifications

Model	CS200	CS2000	CS5000
Capacity x Readability (g)	200 g x 0.1 g	2000 g x 1 g	5000 g x 1 g
Repeatability (Std. dev.) (g)	0.1	1	1
Linearity (g)	±0.1	±1	±1
Weighing Units	g, lb:oz, Newton, oz		
Zero Range	To capacity by subtraction		
Stabilization Time	3 seconds		
Optimum Operating Temperature	65°-77°F / 18°-25°C at 10% to 80% relative humidity, non-condensing		
Power Requirements	3-AA alkaline batteries (included) or AC adapter (included)		
Calibration	User calibration from keypad		
Auto Shut-Off	5 minutes no activity (battery operation only)		
Display (in/mm)	LCD (0.4 / 11)		
Pan size L x W (in/cm)	5.75 x 5.25 / 14.5 x 13.3		
Scale Dimensions L x W x H (in/cm)	8.0 x 5.5 x 1.5 / 20.3 x 14.0 x 3.8		
Box Dimensions (L x W x H (in/cm)	12 x 6.75 x 2 / 30 x 17 x 5.5		
Net Weight (lb/kg)	.91 / .47		
Shipping Weight (lb/kg)	1.8 / .8		

Additional Models

Also available are the CS200P, CS2000P and CS5000P, which include a US postal chart.

Standard Features

Easy operation with two clearly marked buttons, low battery indicator and auto shut-off feature to conserve battery life, mechanical and software overload protection to protect weighing cell from damage, external push button calibration (calibration masses not included).

Options and Accessories

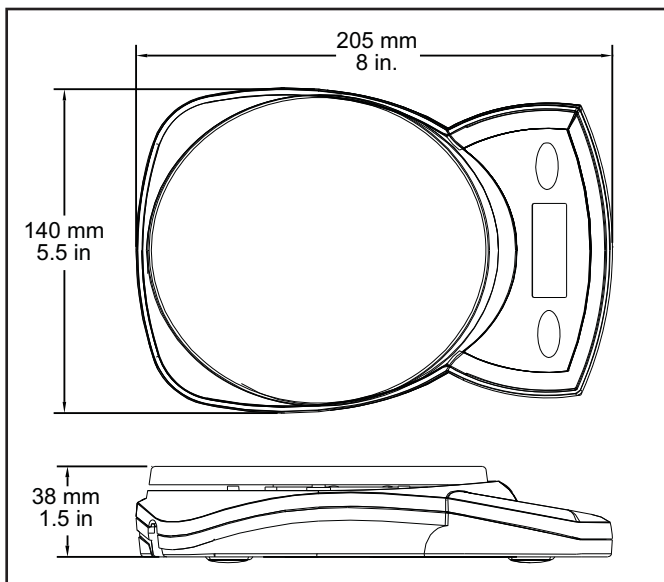
Ohaus Number

1050 ml capacity plastic bowl.....80850075
 Calibration massesCall Ohaus for details

Industry Leading Quality and Support

All OHAUS CS Series scales are manufactured under an ISO 9001:2000 Registered Quality Management System. Our rugged construction and stringent quality control have been hallmarks of all OHAUS products for over a century.

Outline Dimensions



Hills Scales Pty Ltd
 Tel.: (02)8850 4666

Web: www.hillscales.com.au
 Email : sales@hillscales.com.au