

OHAUS Aviator™ 5000

Standard Price Computing Retail Scale



Rechargeable Battery

For complete mobility, the scale can be run via rechargeable battery with a long-lasting operation time of up to 180 hours.



Ergonomic Grips

Two ergonomic grips on the lower side of the scale combined with its light net weight of only 4.2kg make it extremely easy to transport.



Trade Approval

Approved and certified by National Measurement Institute (NMI), means the Aviator 5000 maintains the highest accuracy and allows quick data signal processing.



Cable Case

With built-in cable storage, the work area is kept tidy, transportation is simple and the risk of mislaying the power cable is eliminated.



The Aviator 5000 is a modern, ergonomic compact scale available in weight ranges from 5g to 15kg. Coupled with battery operation, the Aviator 5000 is both a stylish and efficient tool for mobile selling.

Additional features include:

Multiple Operation Functionalities - the 50 PLU (price look up) memory and 32 preset keys enable users to set tares and perform zeroing.

LCD Display - clear and easy to read backlit display.

Stainless Steel Construction - large, robust and water resistant stainless steel weighing plate for hygienic weighing of any product.

Aviator™ 5000 *Standard Price Computing Retail Scale*

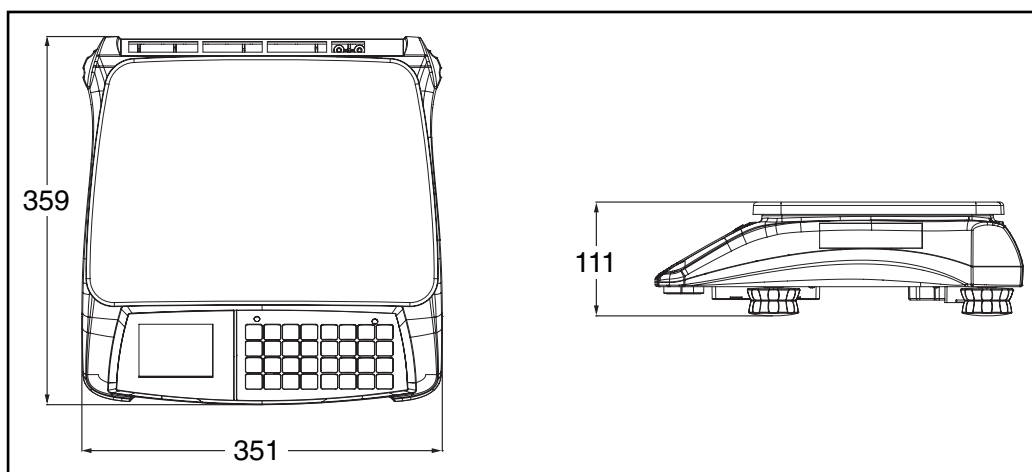
General Specifications

Application Modes	Weighing and price computing
Features	Re-chargeable battery , large backlight LCD display, adaptor and cable case storage, ergonomic grips, easy adjustable feet and sleep mode

Specifications

Model	A51P15L
Capacity	15kg/5g
Construction	Removable stainless steel pan with rounded edges, high grade polymer housing
Display	LCD with backlight; Weight display: 6 digits Price per kg display: 6 digits Price to pay display: 7 digits
Display Indicators	Zero, Tare, 100g, Change, Hold
Keyboard	32 membrane keys, 16 preset keys
Net Weight	4.2kg
Operating Temperature	-10°C~+40°C
Pan size	240 x 337mm
PLU Quantity	50
Power	Power adapter: 100~240VAC, 50/60Hz Battery: 6VDC/4.5AH lead-acid rechargeable battery
Scale Dimensions	480mm x 465mm x 180mm
Communication	None

Outline Dimensions



www.ohaus.com

ISO 9001:2008
Registered Quality Management System

© Copyright Ohaus Corporation

