

QCC Series Coin Counting Scale

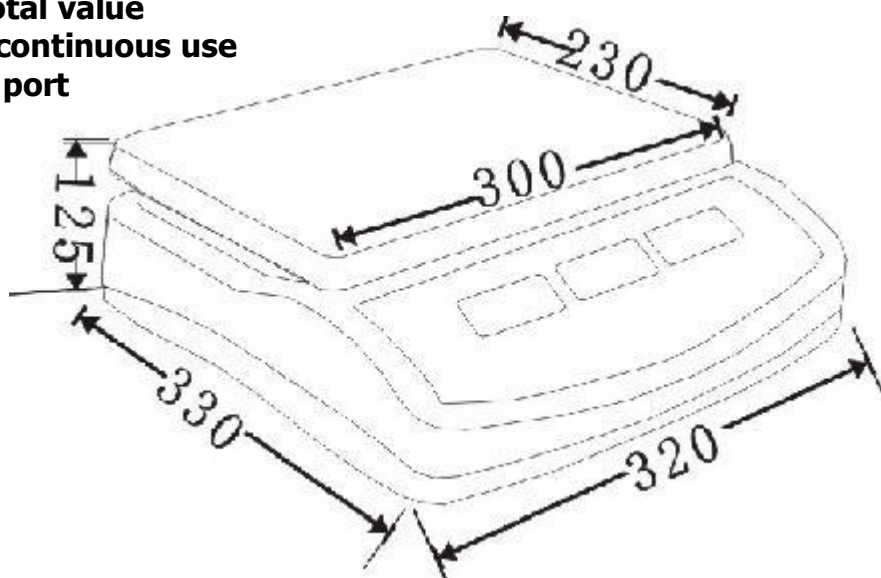
APPLICATIONS

- Banks and financial institutions
- Pubs, and clubs and Gaming Venues
- Retail stores handling large amounts of small change.
- Commercial institutions



FEATURES

- Large LCD display
- Counts all Australian Coins
- 20mm Backlight LCD Display
- Rechargeable battery operation
- Function include password security lock to change coin/token values, /tokens, Gives indication of total number of coins and value
- Can total several batches giving total value
- Battery provide up to 90 hours of continuous use
- Optional RS-232C communication port



SPECIFICATIONS

MODEL	QCC
Capacity	30kg x 1g
Display	20mm LCD display with white color LED backlight
Keyboard	20 keys embossed membrane keyboard
Pan size	230mm x 300mm
Gross weight	5.1kg
Operating Temperature	0°C ~ +40°C
ADC	sigma delta
ADC update	Less than 1/10 second
Internal counts	600,000
Rating	AC adapter (9V/800mA)
	Internal rechargeable battery (6V/4Ah 90 hours)